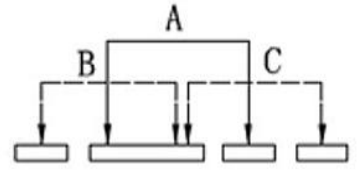
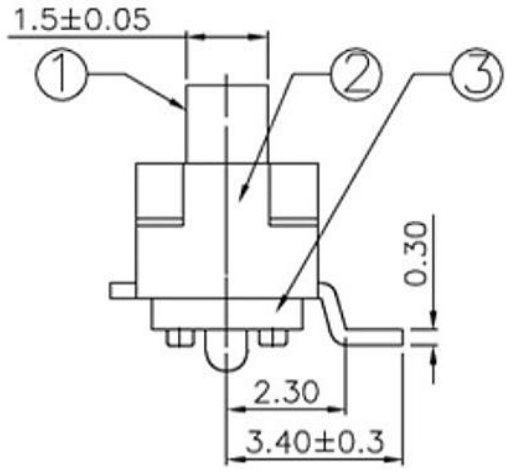
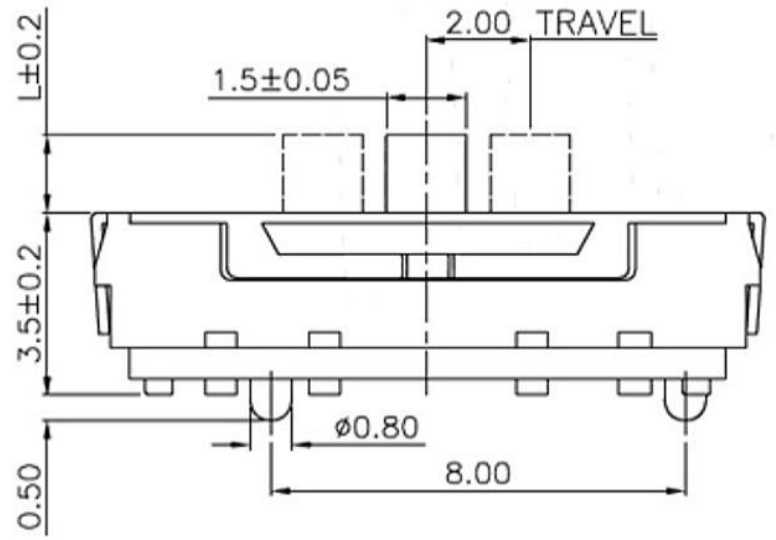


PCB Layout(Pattern side)



Circuit Diagram

8				
7	STEEL BALL	STEEL	1	NATURAL
6	SPRING	STEEL WIRE	1	NATURAL
5	CONTACT CLIP	PBS STRIP	2	Ag PLATED
4	TERMINAL	BRASS STRIP	8	Ag PLATED
3	BASE	PHENOLIC RESIN	1	NATURAL
2	FRAME	STEEL STRIP	1	Ni PLATED
1	KNOB	POM	1	BLACK
NO.	PARTS	MATERIALS	Q'TY	FINISH

TOLERANCE				
UNLESS SPECIFIED				
WITHIN	A	2012-10-26	初版	
OVER	ISSUE	DATE	DESCRIPTIONS OF REVISION	
TITLE : SLIDE SWITCH			UNIT : mm	DRWG NO.:
MODEL:			SCALE: 3:1	DWN.
東莞市高迪電子有限公司 DONGGUAN GAODI ELECTRONICS CO., LTD.				2012-10-26
			CHK'D	
			APPD.	2012-10-26